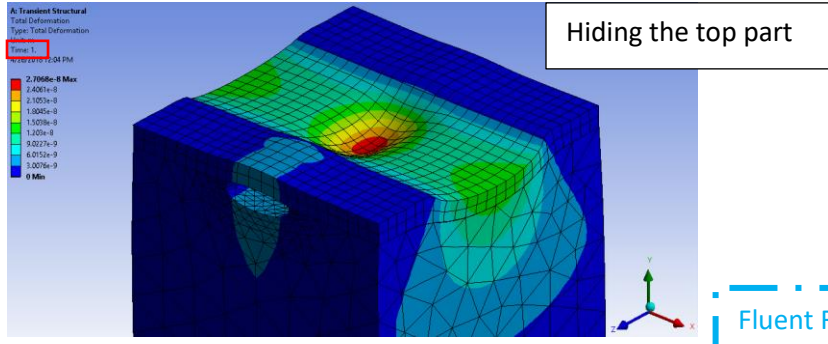
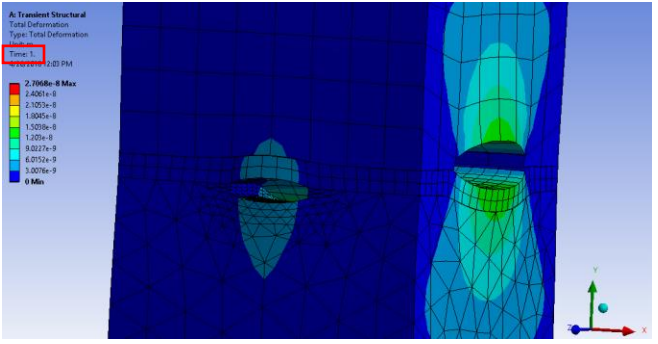
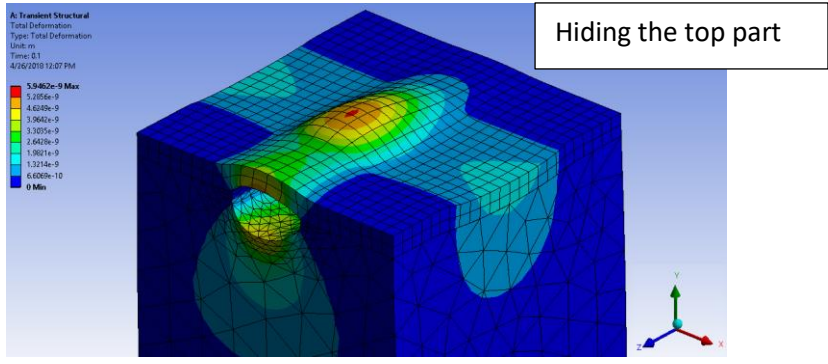
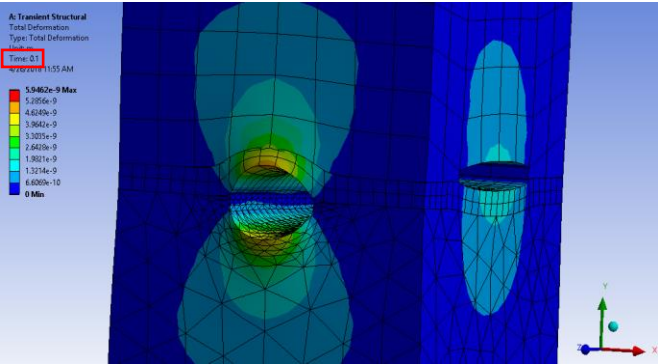
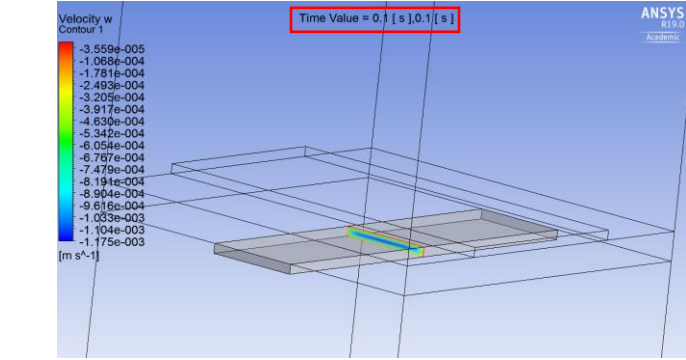
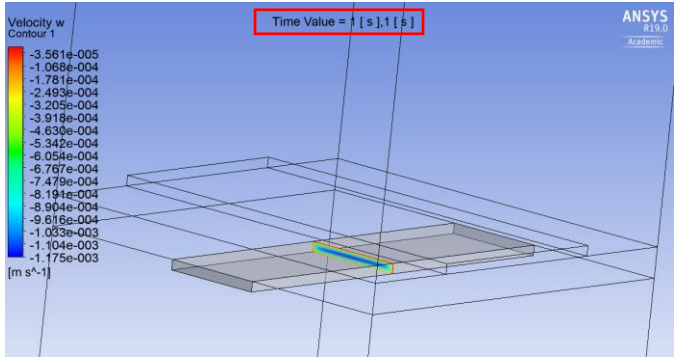


Transient Structure Results:



Fluent Results:



Contour of the fluid velocity component in the direction of the flow channel (No change?). No deformation of structure?